

16.25 KW AC RATED
14.1 KW DC RATED

NEW EQUIPMENT

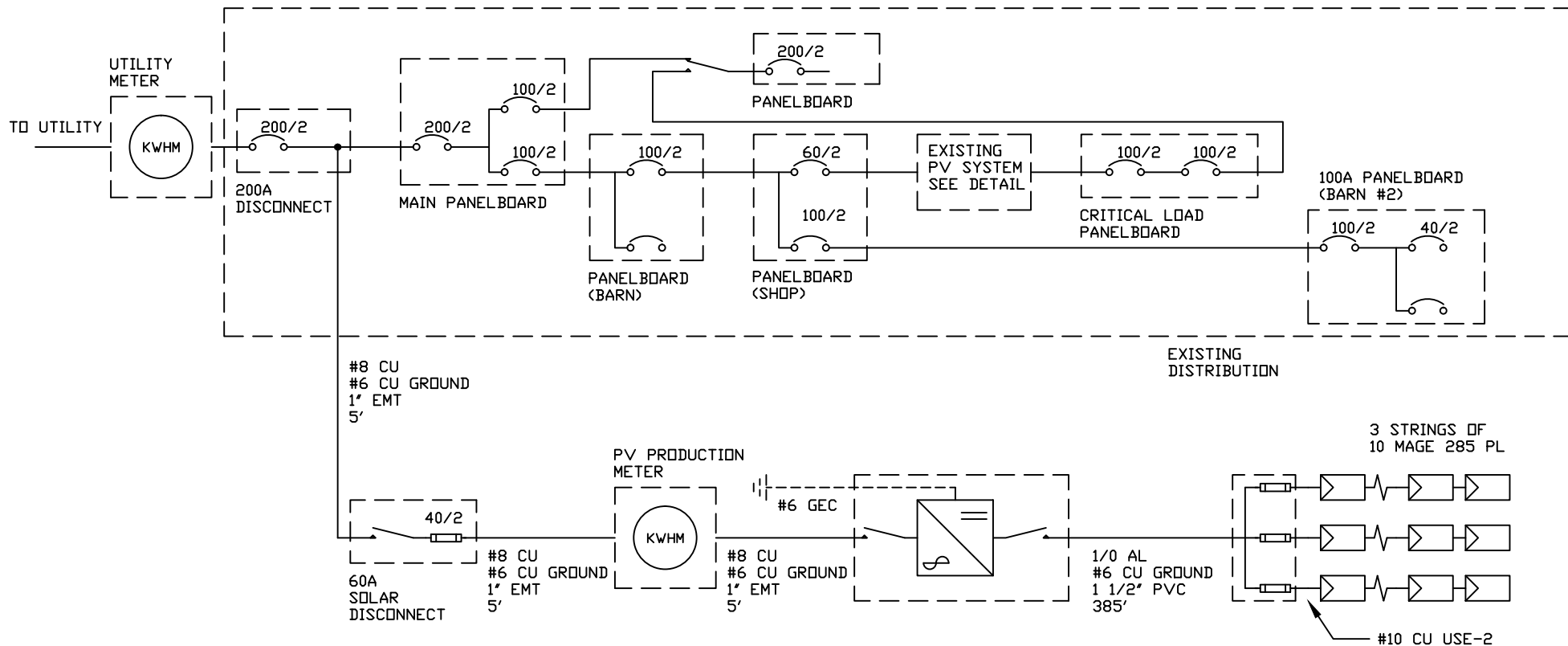
PV Module Ratings @ STC
Module Make: Mage Solar
Module Model: Powertec Plus 285-6 PL *
Quantity: 30
Max Power-Point Current (Imp): 8.01 A
Max Power-Point Voltage (Vmp): 35.59 V
Open-Circuit Voltage (Voc): 44.76 V
Short-Circuit Current (Isc): 8.45 A
Maximum Power (Pmax): 285.1 W
Module Rated Max Voltage: 600 V

Inverter Make: SMA America
Inverter Model: SB7000US 240V
Quantity: 1
Max Power: 7.0 KW
Max AC Current: 29.2 A
DC Operating Current: 24.0 A
DC Short Circuit Current: 25.3 A
DC Operating Voltage: 355.9 V
System Max DC Voltage: 512.8 V
Pnom Ratio: 1.22

EXISTING EQUIPMENT

PV Module Ratings @ STC
Module Make: Sharp
Module Model: NT-S5E1U
Quantity: 30

Inverter Make: Xantrex Technologies, Inc.
Inverter Model: SW5548+GTI 120V
Quantity: 2
Max Power: 4.6 KW
Max AC Current: 38.6 A



- NOTES:
1. INSTALLATION TO BE COMPLETED IN ACCORDANCE WITH THE NATIONAL ELECTRIC CODE.
2. INSTALLATION TO BE COMPLETED ACCORDING TO MANUFACTURER INSTRUCTIONS.
3. ALL WIRES THWN-2 UNLESS OTHERWISE SPECIFIED
4. IDENTIFY AND LABEL ALL PV CONDUCTORS
5. APPLY LIVE EQUIPMENT WARNINGS PER NATIONAL ELECTRIC CODE

SHEET 1 OF 2

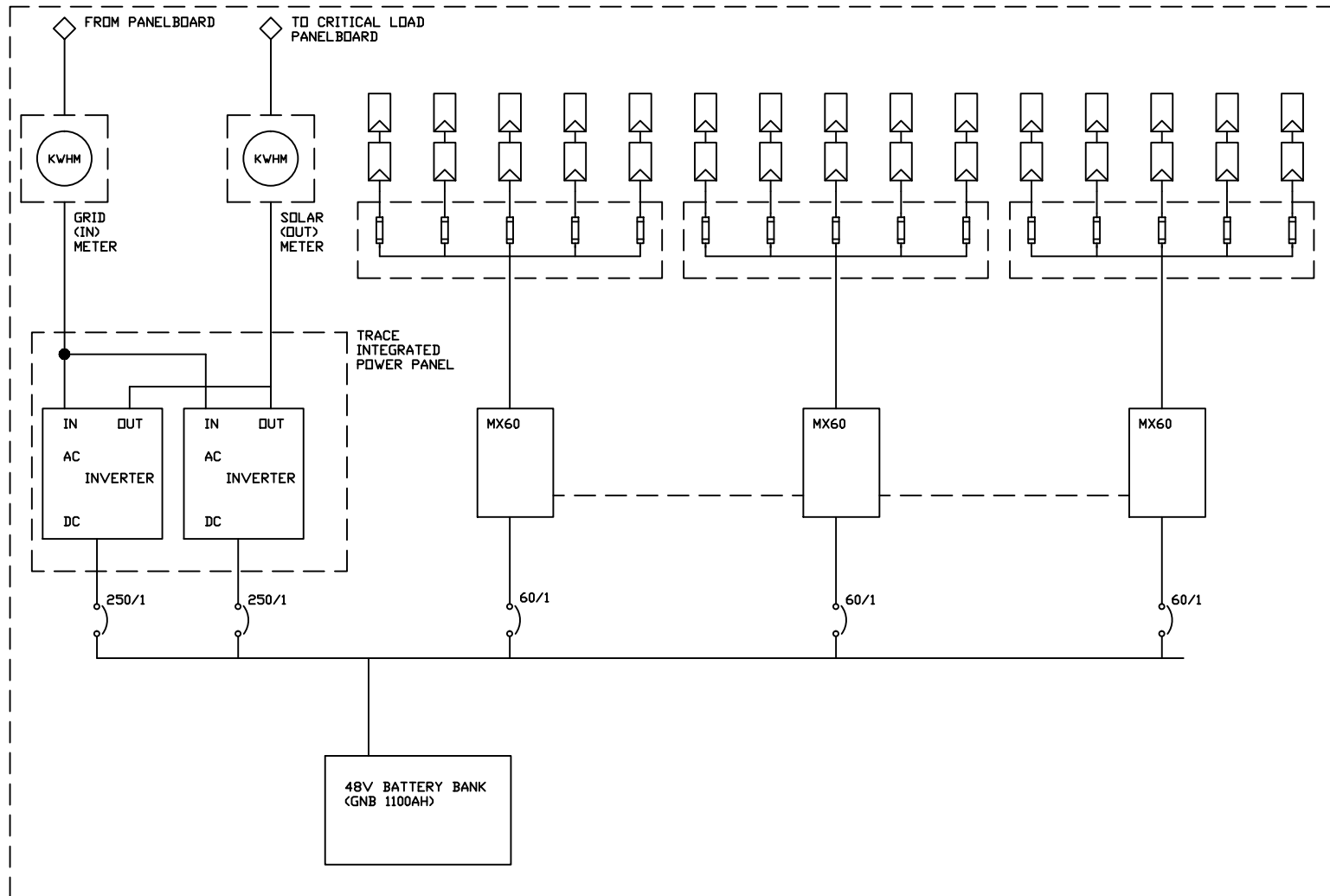


PARADISE ENERGY SOLUTIONS

SAMUEL YODER - 1375 Saucony Rd, Kutztown, PA 19530

BY: NRC DATE: 6/11/13 Yoder, Sam.dwg

TO SHEET 2



TO SHEET 1

